

Portable Solar Panel 220W
OUTPUT: 220W/18V

USER MANUAL

Thank you for purchasing the solar panel. Before attempting to use this product. Please read these instructions carefully to learn about the features and capabilities of the solar panel and how you can get the best out of it.

Product Features

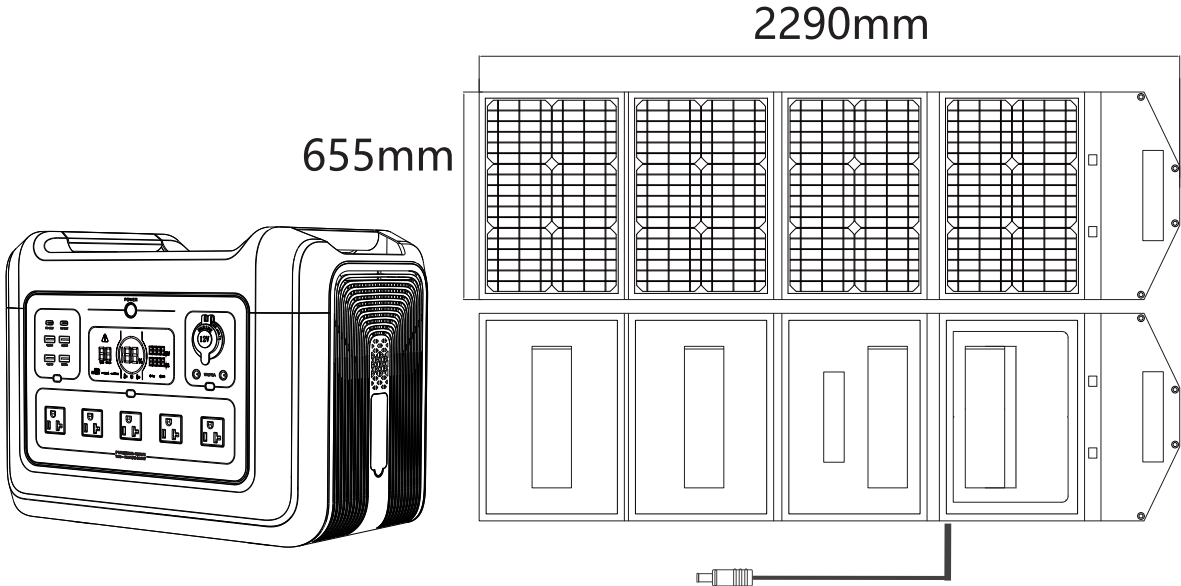
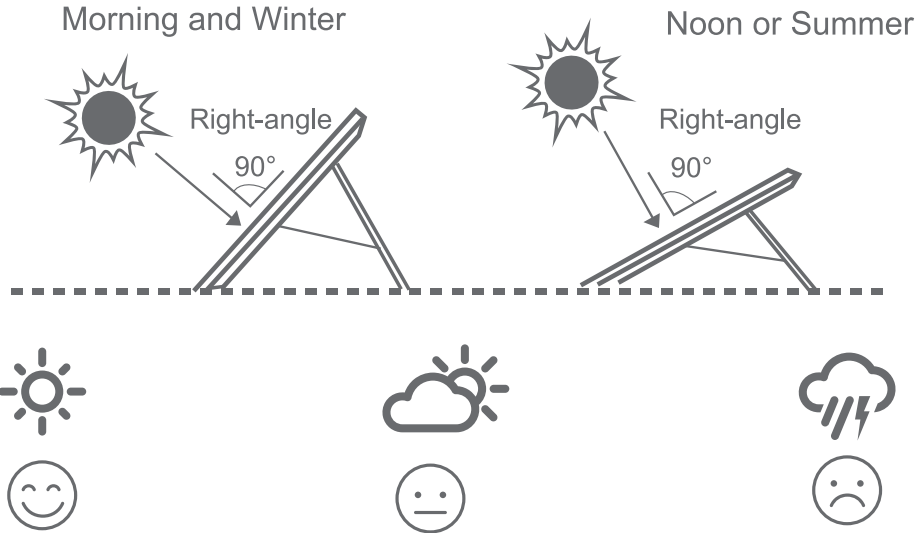
1. Carefully selected Mono silicon solar cells for reliable performance.
2. 20% high conversion efficiency enable solar panel to produce electricity in low-solar intensity outdoor environment($1000\text{W}/\text{m}^2$).
3. Smart IC Technology (Target Intelligent Recognition Chip)
4. Prevent against reverse charging.

Technical Parameters

Peak Power/W		240
Cell Efficiency/%		20
Power Voltage/V		19.8
Power Current/A		12.1
DC Output		18V/220W
Dimensions	Folded/mm	655*520*35
	Unfolded/mm	2290*655*5
Operating Temperature Range		-10~70°C

User Instructions

Unfold the solar panels and spread the bracket.
(For receiving more solar radiation, please try to keep the solar surface and the sunlight at 90°)



Package Contents

1*Solar panel 220W

1*User manual

1*Warranty card

Frequently Asked Questions

1.Why the electronic devices can't charge?

Is the output connector plugged in or cable normal?

Re-plug it once or replace new cable.

Is the solar panel facing the sunlight?

Please readjust to the direction of solar panel, to confirm the position of the sunlight.

Is the surface of the solar panel contaminated with dirt or occlusion items?

Clean the surface of the panel with cloth.

Avoid other obstruction blocking the solar panel.

2. Why the electronic devices charge slowly?

Confirm the use environment or weather: low power generation in cloudy, rainy days.

Please replace a new cable and try again.

Or do not place the electronic equipment in the direct sunlight or overheated environment for a long time.

3. What is the difference between the nominal output of the solar panel and the actual output?

The nominal maximum output power (rated output) of the solar cell is a value calculated by STC (Standard Test Condition, this is the world's recognized standard test condition for ground solar cell modules) in a predetermined "standard state". The "standard state" has a surface temperature of 25°C, air-mass of 1.5 and a solar intensity of 1000W/m².

Cautions

- ※ Place the solar panel under direct sunlight don't cover the panel with other objects.
- ※ Connect your device and solar charger with the accessory cable or any other certified power cable to start the charging.
- ※ In order to get maximum solar energy, please adjust the solar panel towards sunlight in vertical direction.
- ※ Keep your phones and tablets out of the direct sunlight.
Excessive heat may cause damage.
- ※ Do not puncture, throw, drop, bend or modify this product.
- ※ Do not allow children to play with this product.

After-sales Service Guarantee

12 months warranty is provided for the product from the date of purchase. If you have any query, please contact us.

Note: An order ID with detail description or image is preferred when contacting our customer service, if possible.